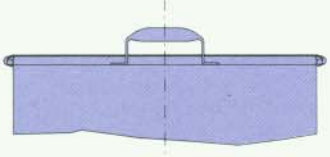
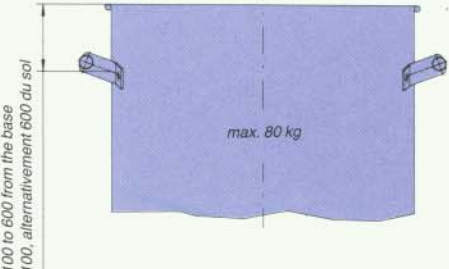
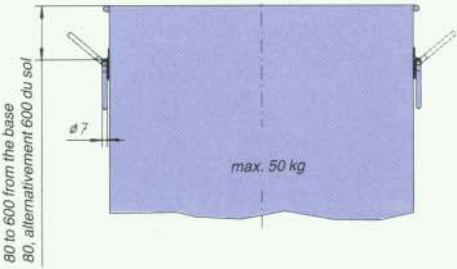
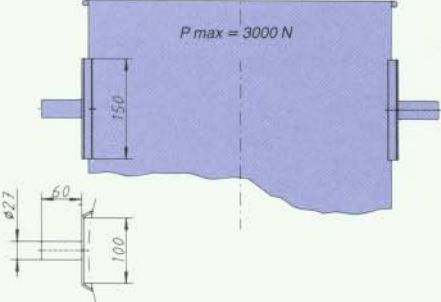
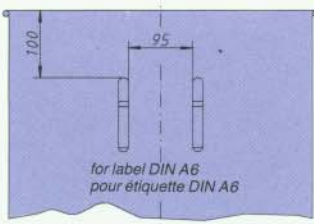
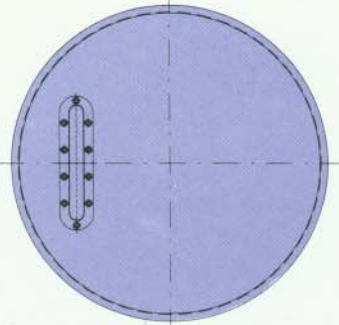
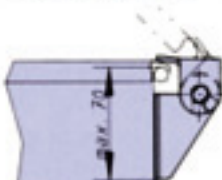

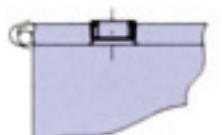
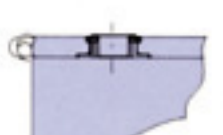
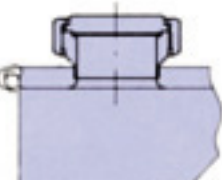
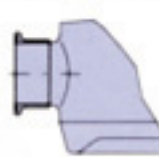
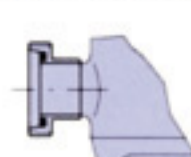
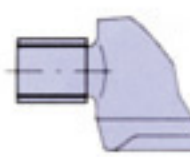
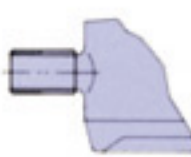


ACCESSORIES FOR MÜLLER STAINLESS STEEL DRUMS

FUTS EN ACIER INOX/ACCESSOIRES

<p>Lid handle / Poignée sur couvercle Art. No. 471 165 / réf. 471 165</p> 	<p>Fixed handles / Poignées fixes with screws / vissées Art. No. 471 167 / réf. 471 167</p> 
<p>Hinged handles / Poignées tombantes Art. No. 471 091 / réf. 471 091</p> 	<p>Pivots with support studs / Tourillons avec console Art. No. 389 017 / réf. 389 017</p> 
<p>Label holder / Porte-étiquette Art. No. 479 017 / réf. 479 017</p> 	<p>Inspection glass / Verre-regard Art. No. 479 004 / réf. 479 004</p> 



Design / Modèle	Dimension	Art. No. / Réf.	Design / Modèle	Dimension	Art. No. / Réf.
Hinge to BS 304 S15 / Charnière inox 304  lid can be unhinged / couvercle décrochable		479 025	Base ring to BS 321 S12 / Cerclage du fond inox 321 	Ø 315 Ø 345 Ø 400 Ø 450 Ø 500 Ø 560 Ø 600 Ø 710	389 053 389 051 389 055 389 057 389 065 389 059 389 063 389 068
Sleeve with stopper to BS 320 S17 / Manchon avec bouchon inox 316 Ti, PTFE 	3/4" 2"	475 512/ 475 082/ 475 532/ 475 084	Outlet connection, threaded to BS 304 S 15, S-seal/ Raccord inox 304 joint spécial 	3/4" 2"	475 032/ 475 081 475 034/ 475 083
Sterile outlet connection to BS 320 S17, PTFE / Raccord stérile inox 316 Ti, PTFE 	DN 32 DN 50	Outlet connection, threaded blind conical connection locking nut seal PTFE Outlet connection, threaded blind conical connection locking nut seal PTFE	embout fileté à souder douille aveugle écrou à crans joint PTFE embout fileté à souder douille aveugle écrou à crans joint PTFE		475 546 475 352 475 753 475 534 475 547 475 356 475 755 475 537
TC-outlet connection with seal to BS 304 S 15 silicone / Raccord TC avec joint inox 302, silicone 	NW 25 NW 40 NW 50 NW 65 NW 80 NW 100 NW 150 NW 200	475 700/475 730 475 701/475 731 475 702/475 732 475 703/475 733 475 704/475 734 475 707/475 735 475 706/475 736 475 708/475 738	Outlet connection, threaded welded to drum, with seal to BS 304 S15, silicone / Embout fileté à souder avec joint / inox 304, silicone 	NW 10 NW 20 NW 25 NW 32 NW 50 NW 65	475 600 475 374 475 615 475 616 475 618 475 619
Sleeve to BS 304 S15 / Manchon inox 304 	1/4" 3/8" 1/2" 3/4" 1" 1 1/4" 1 1/2" 2"	475 505 475 506 475 509 475 513 475 515 475 517 475 519 475 525	Nipple to BS 304 S15 / Raccord fileté inox 304 	1/4" 3/8" 1/2" 3/4" 1" 1 1/2" 2"	475 436 475 432 475 434 475 435 475 438 475 411 475 437

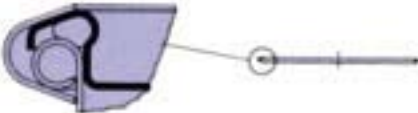
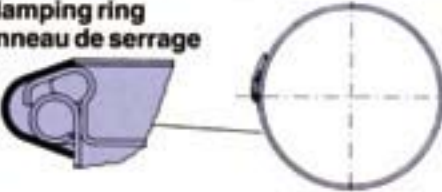
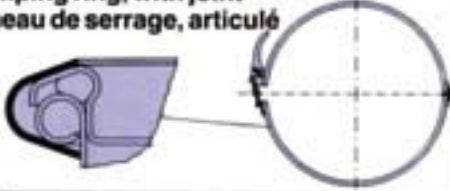
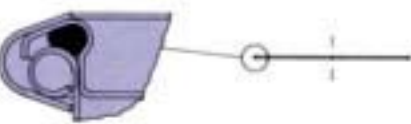
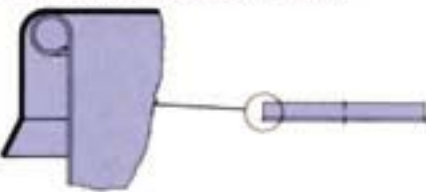
MÜLLER reserve the right to make technical changes / Sous réserve de modifications techniques.

Müller GmbH, D-79604 Rheinfelden
Postfach 14 09
Telefon 076 23/969-0, Telefax 076 23/969-69

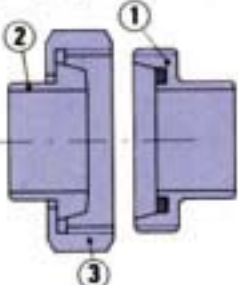
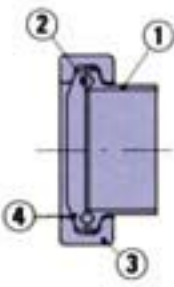
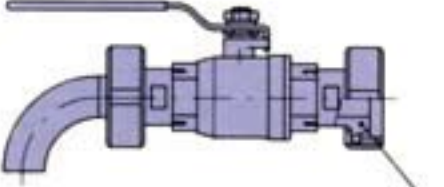
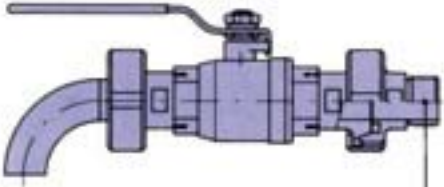
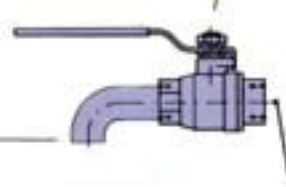
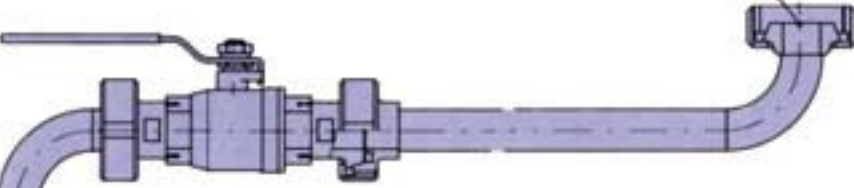
MÜLLER


1000006.02

ACCESSORIES FOR MÜLLER STAINLESS STEEL DRUMS FÛTS EN ACIER INOX / ACCESSOIRES

Design Modèle	Dimensions Dimensions	Material Matériau*	Art No. Réf.
Lid, clamping ring fixing Couvercle à serrer 	∅ 170 x 0.80 ∅ 250 x 0.80 ∅ 315 x 1.00 ∅ 375 x 0.80 ∅ 400 x 1.00 ∅ 450 x 1.00 ∅ 500 x 1.00 ∅ 560 x 1.00 ∅ 600 x 1.00 ∅ 710 x 1.50	1.4301 1.4301 1.4541 1.4541 1.4541 1.4541 1.4541 1.4541 1.4541 1.4541	347001 347002 347021 347075 347107 347119 347131 347159 347195 347199
Clamping ring Anneau de serrage 	∅ 170 ∅ 250 ∅ 315 ∅ 375 ∅ 400 ∅ 450 ∅ 500 ∅ 560 ∅ 600 ∅ 710	1.4301	461200 461202 461203 461211 461217 461227 461233 461241 461245 461249
Clamping ring, with joint Anneau de serrage, articulé 	∅ 450 ∅ 500 ∅ 560	1.4301	379040 379041 379042
Seal Joint 	∅ 170 x 7 ∅ 250 x 7 ∅ 315 x 7 ∅ 375 x 7 ∅ 400 x 7 ∅ 450 x 7 ∅ 500 x 7 ∅ 560 x 7 ∅ 600 x 7 ∅ 710 x 7 ∅ 250 x 8 ∅ 315 x 8 ∅ 400 x 8 ∅ 450 x 8 ∅ 500 x 8 ∅ 560 x 8 ∅ 600 x 8 ∅ 710 x 8	Silikon silicone Viton viton	476167 476181 476183 476185 476186 476187 476190 476189 476195 476199 476169 476171 476173 476175 476176 476177 476180 476196
Press-on lid / Couverture cloche 	∅ 250 x 1.00 ∅ 315 x 1.00 ∅ 400 x 1.00 ∅ 450 x 1.00 ∅ 500 x 1.00 ∅ 560 x 1.00 ∅ 600 x 1.25 ∅ 710 x 1.25	1.4301	447128 447103 447132 447135 447138 447139 447147 447149



<p>incl. silicone seal y compris joint silicone</p> 	<p>Outlet connection, threaded, welded to drum, DIN 11851, 1.4301* ①</p> <p>Embout fileté à souder selon DIN 11851, inox 304</p> <table border="1"> <tr><td>NW 10</td><td>475600</td></tr> <tr><td>NW 20</td><td>475374</td></tr> <tr><td>NW 25</td><td>475615</td></tr> <tr><td>NW 32</td><td>475616</td></tr> <tr><td>NW 50</td><td>475618</td></tr> <tr><td>NW 65</td><td>475619</td></tr> </table>	NW 10	475600	NW 20	475374	NW 25	475615	NW 32	475616	NW 50	475618	NW 65	475619	<p>Outlet connection, conical, welded to drum, DIN 11851, 1.4301* ②</p> <p>Embout conique à souder selon DIN 11851, inox 304</p> <table border="1"> <tr><td>NW 10</td><td>475623</td></tr> <tr><td>NW 25</td><td>475637</td></tr> <tr><td>NW 50</td><td>475640</td></tr> <tr><td>NW 65</td><td>475641</td></tr> </table>	NW 10	475623	NW 25	475637	NW 50	475640	NW 65	475641	<p>Locking nut to DIN 11851, 1.4301* ③</p> <p>Ecrou à gorges, selon DIN 11851, inox 304</p> <table border="1"> <tr><td>NW 10</td><td>475645</td></tr> <tr><td>NW 25</td><td>475648</td></tr> <tr><td>NW 50</td><td>475651</td></tr> <tr><td>NW 65</td><td>475652</td></tr> </table>	NW 10	475645	NW 25	475648	NW 50	475651	NW 65	475652																																					
NW 10	475600																																																																			
NW 20	475374																																																																			
NW 25	475615																																																																			
NW 32	475616																																																																			
NW 50	475618																																																																			
NW 65	475619																																																																			
NW 10	475623																																																																			
NW 25	475637																																																																			
NW 50	475640																																																																			
NW 65	475641																																																																			
NW 10	475645																																																																			
NW 25	475648																																																																			
NW 50	475651																																																																			
NW 65	475652																																																																			
	<p>TC-outlet connection 1.4301* ①</p> <p>Raccord Tri- Clamp, inox 304</p> <table border="1"> <tr><td>NW 25</td><td>475700</td></tr> <tr><td>NW 40</td><td>475701</td></tr> <tr><td>NW 50</td><td>475702</td></tr> <tr><td>NW 65</td><td>475703</td></tr> <tr><td>NW 80</td><td>475704</td></tr> <tr><td>NW 100</td><td>475707</td></tr> <tr><td>NW 150</td><td>475706</td></tr> <tr><td>NW 200</td><td>475708</td></tr> </table>	NW 25	475700	NW 40	475701	NW 50	475702	NW 65	475703	NW 80	475704	NW 100	475707	NW 150	475706	NW 200	475708	<p>TC-seal, silicone ②</p> <p>Joint Tri- Clamp, silicone</p> <table border="1"> <tr><td>NW 25</td><td>475730</td></tr> <tr><td>NW 40</td><td>475731</td></tr> <tr><td>NW 50</td><td>475732</td></tr> <tr><td>NW 65</td><td>475733</td></tr> <tr><td>NW 80</td><td>475734</td></tr> <tr><td>NW 100</td><td>475735</td></tr> <tr><td>NW 150</td><td>475736</td></tr> <tr><td>NW 200</td><td>475738</td></tr> </table>	NW 25	475730	NW 40	475731	NW 50	475732	NW 65	475733	NW 80	475734	NW 100	475735	NW 150	475736	NW 200	475738	<p>TC-clamp 1.4301* ③</p> <p>Collier Tri- Clamp, inox 304</p> <table border="1"> <tr><td>NW 25 +</td><td></td></tr> <tr><td>NW 40</td><td>475720</td></tr> <tr><td>NW 50</td><td>475722</td></tr> <tr><td>NW 65</td><td>475723</td></tr> <tr><td>NW 80</td><td>475724</td></tr> <tr><td>NW 100</td><td>475725</td></tr> <tr><td>NW 150</td><td>475726</td></tr> <tr><td>NW 200</td><td>475728</td></tr> </table>	NW 25 +		NW 40	475720	NW 50	475722	NW 65	475723	NW 80	475724	NW 100	475725	NW 150	475726	NW 200	475728	<p>TC-blind lid, 1.4301* ④</p> <p>Obtuteur Tri- Clamp, inox 304</p> <table border="1"> <tr><td>NW 25 +</td><td></td></tr> <tr><td>NW 40</td><td>475710</td></tr> <tr><td>NW 50</td><td>475712</td></tr> <tr><td>NW 65</td><td>475713</td></tr> <tr><td>NW 80</td><td>475714</td></tr> <tr><td>NW 100</td><td>475715</td></tr> <tr><td>NW 150</td><td>475716</td></tr> <tr><td>NW 200</td><td>475718</td></tr> </table>	NW 25 +		NW 40	475710	NW 50	475712	NW 65	475713	NW 80	475714	NW 100	475715	NW 150	475716	NW 200	475718
NW 25	475700																																																																			
NW 40	475701																																																																			
NW 50	475702																																																																			
NW 65	475703																																																																			
NW 80	475704																																																																			
NW 100	475707																																																																			
NW 150	475706																																																																			
NW 200	475708																																																																			
NW 25	475730																																																																			
NW 40	475731																																																																			
NW 50	475732																																																																			
NW 65	475733																																																																			
NW 80	475734																																																																			
NW 100	475735																																																																			
NW 150	475736																																																																			
NW 200	475738																																																																			
NW 25 +																																																																				
NW 40	475720																																																																			
NW 50	475722																																																																			
NW 65	475723																																																																			
NW 80	475724																																																																			
NW 100	475725																																																																			
NW 150	475726																																																																			
NW 200	475728																																																																			
NW 25 +																																																																				
NW 40	475710																																																																			
NW 50	475712																																																																			
NW 65	475713																																																																			
NW 80	475714																																																																			
NW 100	475715																																																																			
NW 150	475716																																																																			
NW 200	475718																																																																			
 <p>can be screwed into threaded outlet connection NW 20 à visser dans embout fileté DN 20</p>	<p>Drainage tap, pipe thread 1/4" ①</p> <p>Art.-No. 389190 1.4571*/PTFE</p> <p>Robinet purgeur R 1/2" ②</p> <p>Réf. 389190 inox 316 Ti / PTFE</p>	<p>Curved spout, 90°, pipe thread 1/2" ③</p> <p>Art.-No. 475480 1.4571*</p> <p>Coude 90° R 1/2" ④</p> <p>Réf. 475480 inox 316 Ti</p>	<p>Drainage tap, pipe thread 1/2" ⑤</p> <p>Art.-No. 475960 1.4301*</p> <p>Robinet purgeur R 1/2" ⑥</p> <p>Réf. 475960 inox 304</p>																																																																	
 <p>can be screwed into 1/4" sleeve à visser dans manchon 1/4"</p>	<p>Drainage tap, pipe thread 1/4" ①</p> <p>Art.-No. 389189 1.4571*/PTFE</p> <p>Robinet purgeur R 1/2" ②</p> <p>Réf. 389189 inox 316 Ti / PTFE</p>	 <p>can be screwed into nipple, pipe thread 1/2" ③ à visser dans raccord fileté R 1/2"</p>																																																																		
<p>can be screwed into threaded connection NW 20 à visser dans embout fileté DN 20</p> 			<p>Drainage tap, pipe thread 1/4" ①</p> <p>Art.-No. 389188 1.4571*/PTFE</p> <p>Robinet purgeur R 1/2" ②</p> <p>Réf. 389188 inox 316 Ti / PTFE</p>																																																																	

MÜLLER reserve the right to make technical changes.
Sous réserve de modifications techniques.

* 1.4301 = AISI 304 = BS 304 S 15

* 1.4571 = AISI 316 TJ = BS 320 S 17

* 1.4541 = AISI 321 = BS 321 S 12

Müller GmbH, D-79604 Rheinfelden

Postfach 1409

Telefon 07623/969-0, Telefax 07623/969-69

MÜLLER



100005.00